





Warranty period for chairs and lounges



Weight rating for individual chairs and lounges*



Fully imported Chairs, lounges, parts and components.



The Performance criteria adopted for certification by Furntech is based on Australian standards, e.g. Level 6 - Severe commercial and heavy industrial.*

**Weight limits are self-rated by Style Ergonomic Australia. AFRDI approved chairs are normally rated to 110kg.*

AFRDI 142
Certification

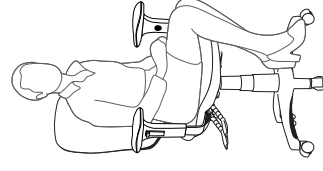
AFRDI 142
ARFDI rating for multi shift use
and 160kg weight limit.



Furntech is an independent not-for-profit technical organisation providing standards, testing product certification and research for buyers and sellers of furniture.



BIFMA is a third-party certification program that provides manufacturers with valuable feedback for evaluating the environmental, human, and social impacts of their furniture products for manufacturing, facility, and organisation.



All instructions of use are instructed while sitting in the chair.

CONTENTS

R1 - TASK MESH SEATING

Intro range	4
Yarra range	6
Rio range	8
Expo range	10
Hino range	12
Brent range	14

R2 - TASK SEATING

P350 range	16
Aqua range	18
Click range	20
TR600 range	22
Spot range	24

R3 - BOARDROOM SEATING

Capri range	26
Gala range	28
Chevy range	30
Web range	32
Volt range	34

R4 - MULTI SHIFT SEATING

Siren range	36
Logan range	38
Oyster range	40
Rover range	42
Ranger range	44
Impact range	46

R5 - EXECUTIVE MESH SEATING

Gibbs range	48
Bolt range	50
Kube range	52
Baxter range	54
Evita range	56
Zodiac range	58
Renata range	60
Ergo-1 range	62

R6 - EXECUTIVE SEATING

Hilton range	64
Cruz range	66
Venus range	68
Ohio range	70
Camry range	72
Boston range	74
Grand range	76
Flash range	78
Select range	80
Enzo range	82
Magnum range	84
Captain range	86

R7 - HOSPITALITY SEATING

Neo range	88
Rose range	90
Focus range	92
Vinn range	94
Pod range	98

R8 - BEAM SEATING

Focus beam range	102
Vinn beam range	104
Pod beam range	106

R9 - BREAKOUT SEATING

Raven range	108
Tonic range	110
Oscar range	112

R10 - SOFT SEATING

Orion range	114
Blitz range	116
Rivet range	118
Jaden range	120
Plaza range	122

R11 - INDUSTRIAL STOOLS

Cad range	124
Stage range	126

R1 TASK MESH SEATING

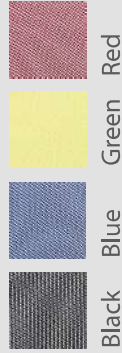
INTRO



FEATURES

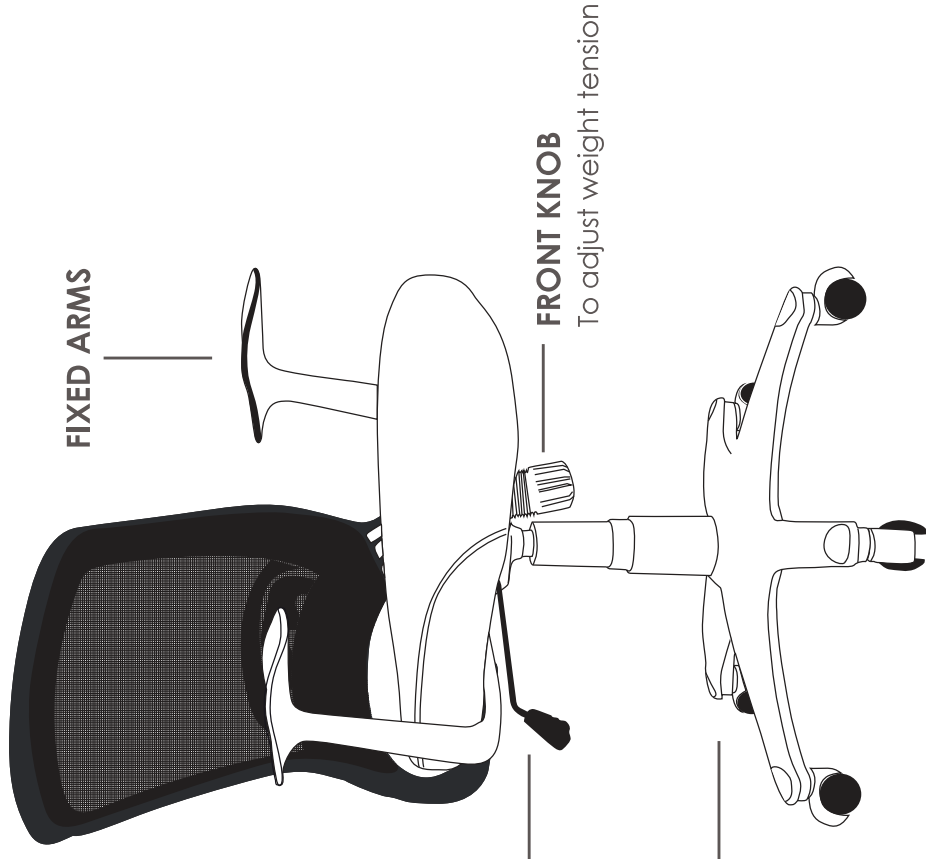
- » Adjustable seat height
- » Adjustable seat and back angle
- » Adjustable weight tension
- » Fixed arms
- » Butterfly mechanism
- » 600mm heavy duty 5 star base
- » Available in black, blue, green and red only
- » Minor assembly required
- » Suitable for indoor use only
- » 4 year warranty
- » Weight limit is 120kg

COLOUR



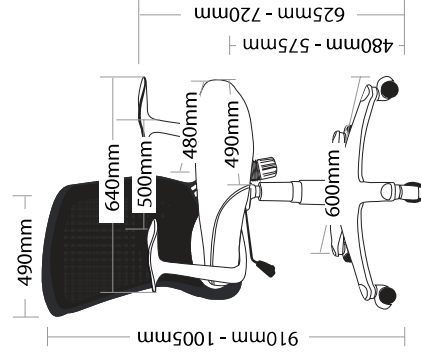
INDOOR USE ONLY

X Do not use as a step ladder



600MM HEAVY DUTY 5 STAR BASE WITH CASTORS

Use soft tyred castors for tiles
Use hard tyred castors for carpet



INTRO

INTRO TASK MESH SEATING



INTRO-BLACK



INTRO-BLUE



INTRO-GREEN



INTRO-RED

R1 TASK MESH SEATING

YARRA

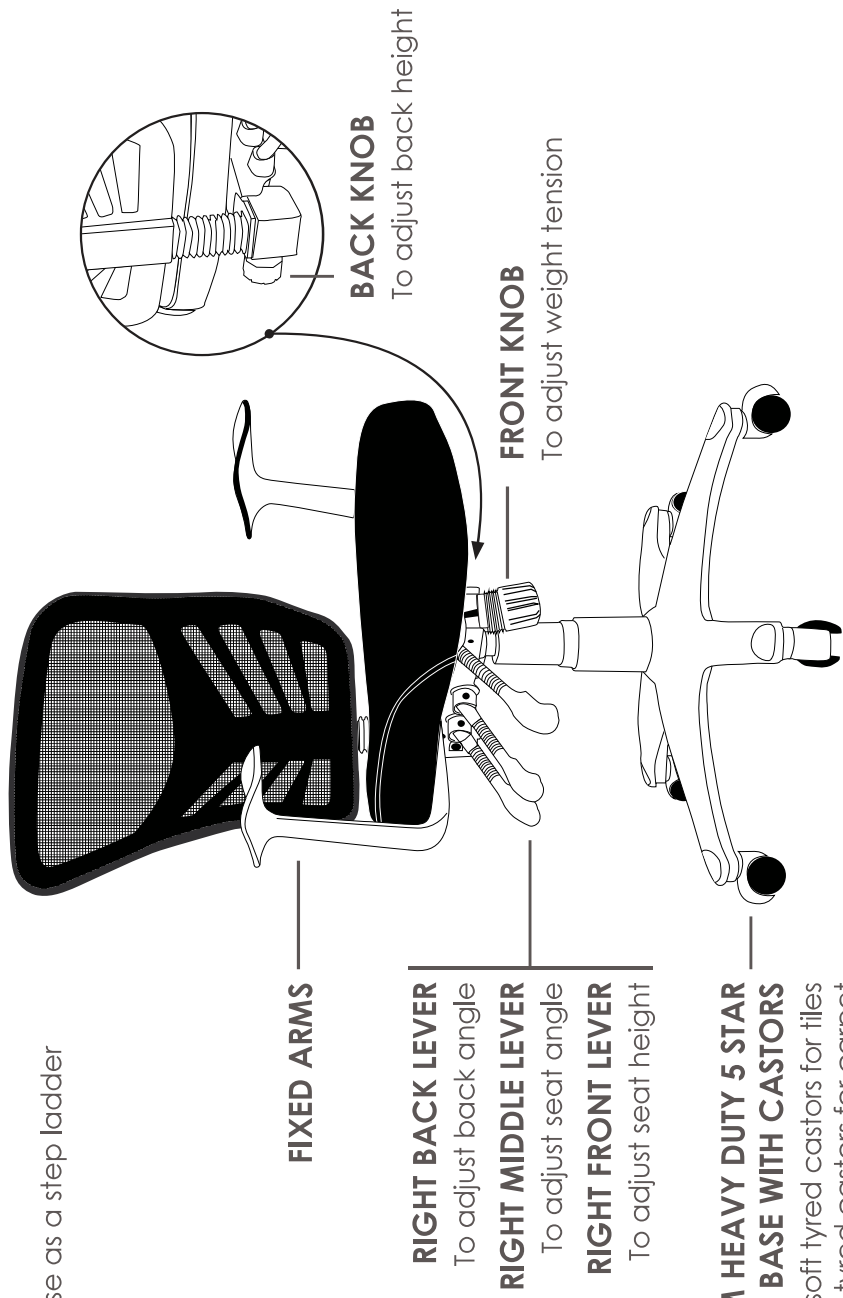


FEATURES

- » Adjustable seat height
- » Adjustable back height
- » Adjustable seat and back angle
- » Adjustable weight tension
- » Fixed arms
- » 3 lever ergonomic mechanism
- » 600mm heavy duty 5 star base
- » Available in black only
- » Minor assembly required
- » Suitable for indoor use only
- » 4 year warranty
- » Weight limit is 120kg

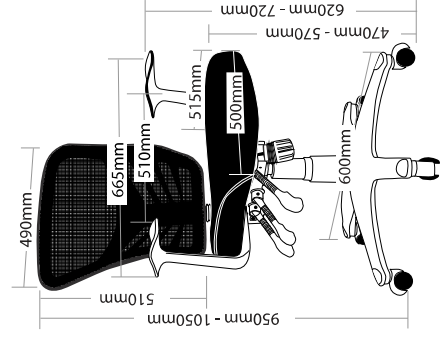
INDOOR USE ONLY

X Do not use as a step ladder



600MM HEAVY DUTY 5 STAR BASE WITH CASTORS

Use soft tyred castors for tiles
Use hard tyred castors for carpet



YARRA

YARRA TASK MESH SEATING



YARRA



BACK VIEW



SIDE VIEW

R1 TASK MESH SEATING

RIO

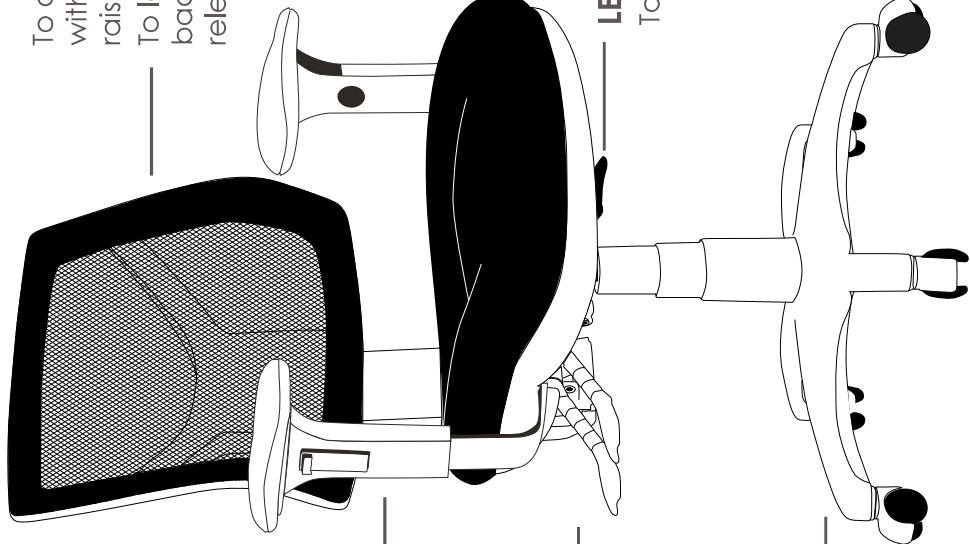


FEATURES

- » Adjustable seat height
- » Adjustable back height (ratchet)
- » Adjustable seat and back angle
- » Optional adjustable arms
- » Optional drafting kit
- » Available in high and low back
- » Moulded seat foam
- » Java seat
- » Mesh back
- » 3 lever ergonomic mechanism
- » 600mm black nylon base
- » Available in Metro black only
- » AFRDI tested to level 6
- » Minor assembly required
- » Suitable for indoor use only
- » 7 year warranty
- » Weight limit is 130kg

INDOOR USE ONLY

X Do not use as a step ladder



**OPTIONAL
ADJUSTABLE ARMS**

RIGHT BACK LEVER
To adjust back angle

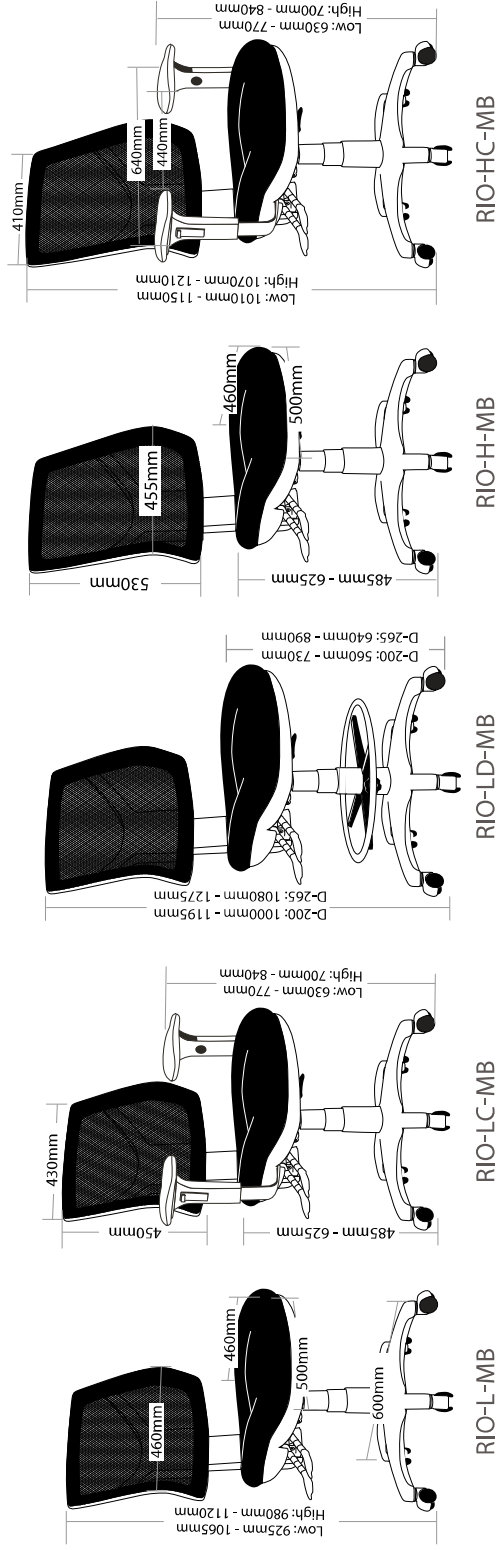
RIGHT FRONT LEVER
To adjust seat height

LEFT LEVER
To adjust seat angle

**600MM BLACK NYLON 5 STAR
BASE WITH CASTORS**

Use soft tyred castors for tiles
Use hard tyred castors for carpet

To adjust back height hold back with two hands while seated and raise to desired height
To lower the back height raise back all the way to the top and release slowly



RIO TASK MESH SEATING



RIO-L-MB



RIO-LC-MB



RIO-LD-MB



RIO-H-MB



RIO-HC-MB

R1 TASK MESH SEATING

EXPO



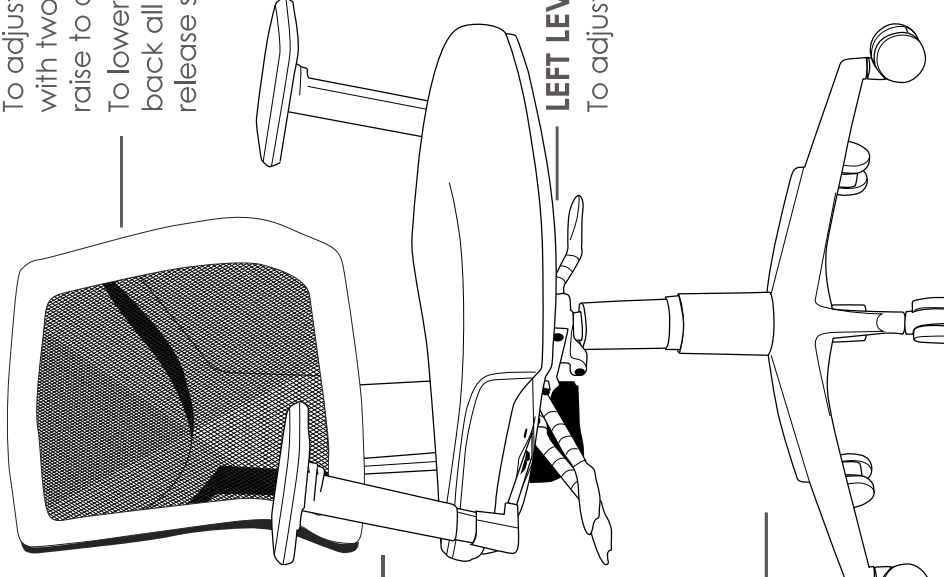
FEATURES

- » Adjustable seat height
- » Adjustable back height (ratchet)
- » Adjustable seat and back angle
- » Optional adjustable arms
- » Optional drafting kit
- » Available in high and low back
- » Square seat
- » Moulded seat foam
- » Mesh back
- » 3 lever ergonomic mechanism
- » 660mm black nylon base
- » Available in Metro black only
- » AFRDI tested to level 6
- » Minor assembly required
- » Suitable for indoor use only
- » 7 year warranty
- » Weight limit is 130kg

INDOOR USE ONLY

X Do not use as a step ladder

To adjust back height hold back with two hands while seated and raise to desired height
 To lower the back height raise back all the way to the top and release slowly



OPTIONAL ADJUSTABLE ARMS

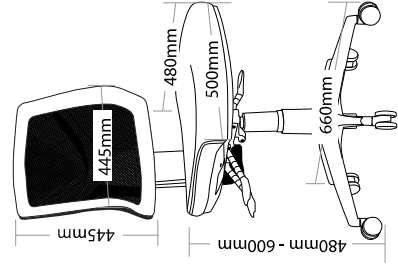
RIGHT BACK LEVER
To adjust back angle
RIGHT FRONT LEVER
To adjust seat height

LEFT LEVER

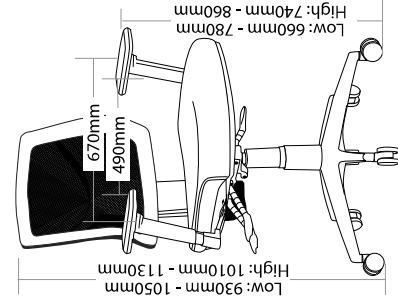
To adjust seat angle

660MM BLACK NYLON 5 STAR BASE WITH CASTORS

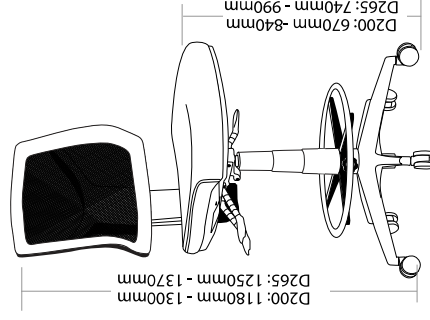
Use soft tyred castors for tiles
 Use hard tyred castors for carpet



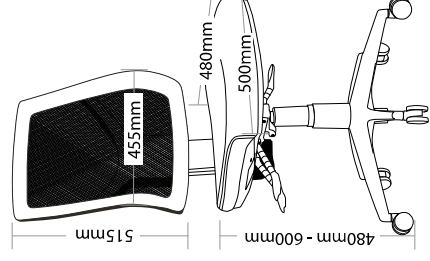
EXPO-L-MB



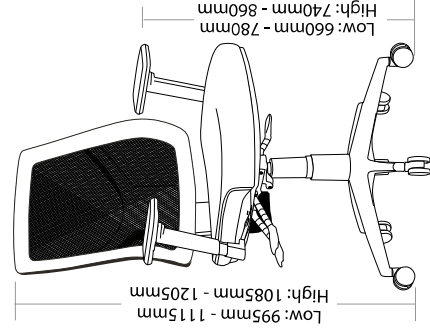
EXPO-LC-MB



EXPO-LD-MB



EXPO-H-MB



EXPO-HC-MB

EXPO TASK MESH SEATING



EXPO-L-MB



EXPO-LC-MB



EXPO-LD-MB



EXPO-H-MB



EXPO-HC-MB

R1 TASK MESH SEATING

HINO



FEATURES

- » Adjustable seat height
- » Adjustable back height (ratchet)
- » Adjustable seat and back angle
- » Adjustable weight tension
- » Optional adjustable arms
- » Moulded seat foam
- » Mega big boy seat
- » Mesh back
- » 3 lever heavy duty ergonomic mechanism
- » 700mm black nylon base
- » Chair not available with drafting kit
- » Available in Metro black only
- » AFRDI tested to level 6
- » Minor assembly required
- » Suitable for indoor use only
- » 7 year warranty
- » Weight limit is 140kg

INDOOR USE ONLY

X Do not use as a step ladder

OPTIONAL ADJUSTABLE ARMS



RIGHT BACK LEVER

To adjust back angle

RIGHT MIDDLE LEVER

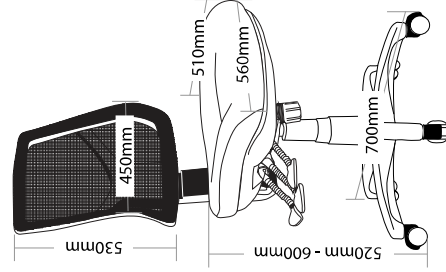
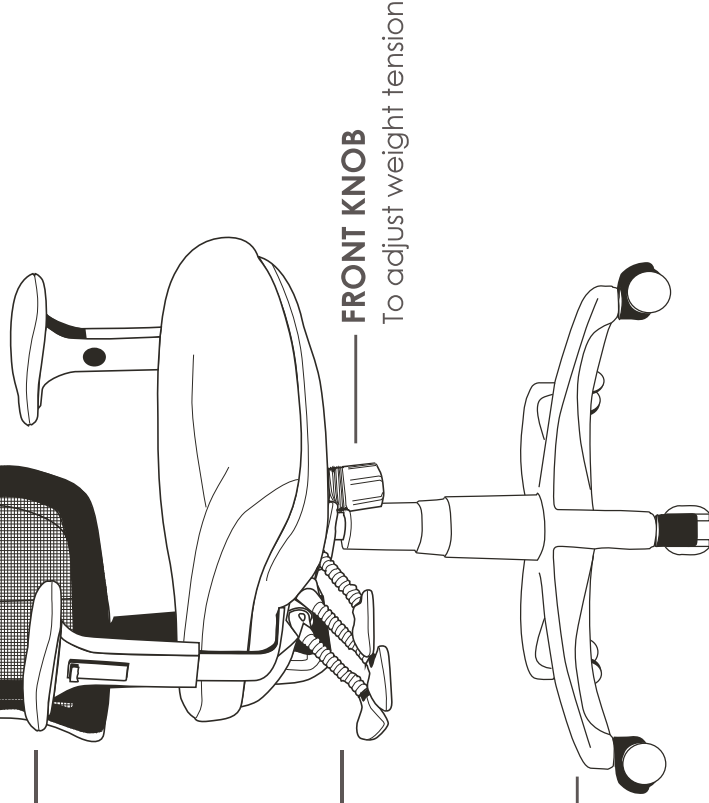
To adjust seat angle

RIGHT FRONT LEVER

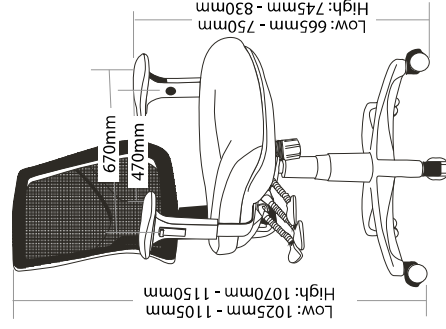
To adjust seat height

700MM BLACK NYLON 5 STAR BASE WITH CASTORS

Use soft tyred castors for tiles
Use hard tyred castors for carpet



HINO-MB



HINO-C-MB

HINO TASK MESH SEATING



HINO-MB



HINO-C-MB



BACK VIEW

R1 TASK MESH SEATING

BRENT



FEATURES

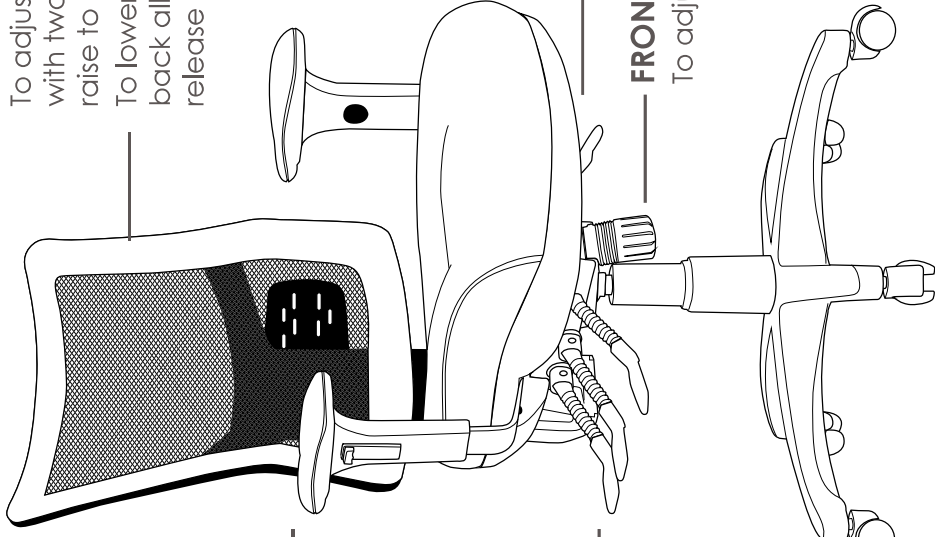
- » Adjustable seat height
- » Adjustable back height (ratchet)
- » Adjustable back and seat angle
- » Adjustable weight tension
- » Adjustable seat depth (build-in seat slider)
- » Adjustable lumbar support
- » Optional adjustable arms
- » Moulded seat foam
- » Big boy seat
- » Mesh back
- » 3 lever ergonomic heavy duty mechanism
- » 700mm black nylon base
- » Available in Metro black only
- » AFRDI tested to level 6
- » Suitable for indoor use only
- » 7 year warranty
- » Weight limit is 140kg

INDOOR USE ONLY

X Do not use as a step ladder

OPTIONAL ADJUSTABLE ARMS

To adjust back height hold back with two hands while seated and raise to desired height
To lower the back height raise back all the way to the top and release slowly



RIGHT BACK LEVER

To adjust back angle

RIGHT MIDDLE LEVER

To adjust seat angle

RIGHT FRONT LEVER

To adjust seat height

LEFT LEVER

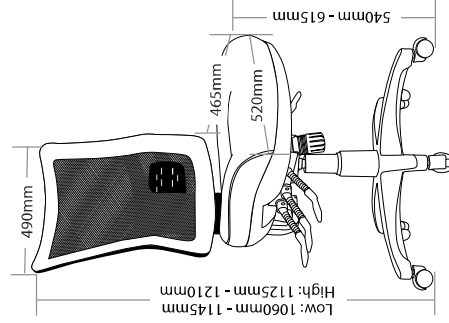
To adjust seat depth (Build-in seat slider)

FRONT KNOB

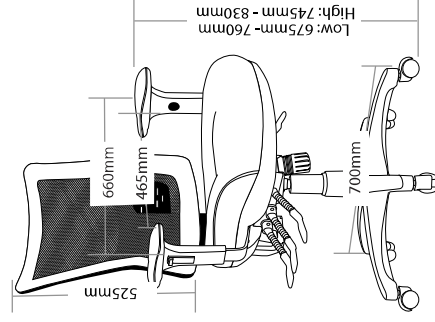
To adjust weight tension

700MM BLACK NYLON 5 STAR BASE WITH CASTORS

Use soft tyred castors for tiles
Use hard tyred castors for carpet



BRENT-MB



BRENT-C-MB

BRENT TASK MESH SEATING



BRENT-MB



BRENT-C-MB



BACK VIEW

R2 TASK SEATING

P350

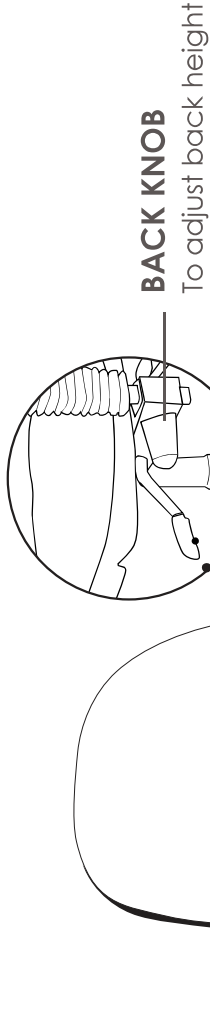


FEATURES

- » Adjustable seat height
- » Adjustable back height
- » Adjustable seat and back angle
- » Optional adjustable arms
- » Optional drafting kit
- » Available in high and low back
- » Moulded seat and back foam
- » Java seat
- » 3 lever ergonomic mechanism
- » 600mm black nylon base
- » Available in Metro black only
- » AFRDI tested to level 6
- » Minor assembly required
- » Suitable for indoor use only
- » 7 year warranty
- » Weight limit is 130kg

INDOOR USE ONLY

X Do not use as a step ladder



OPTIONAL ADJUSTABLE ARMS

RIGHT BACK LEVER

To adjust back angle

RIGHT FRONT LEVER

To adjust seat height

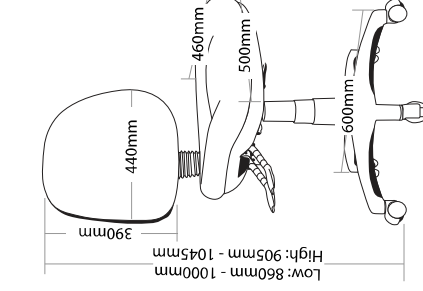
LEFT LEVER

To adjust seat angle

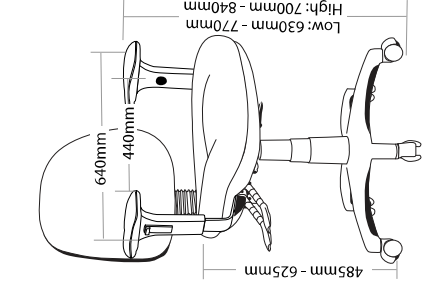
600MM BLACK NYLON 5 STAR BASE WITH CASTORS

Use soft tyred castors for tiles

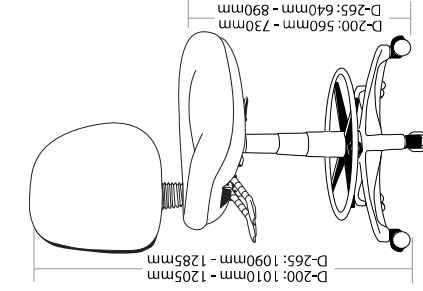
Use hard tyred castors for carpet



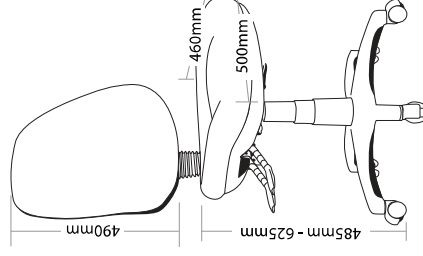
P350-MB



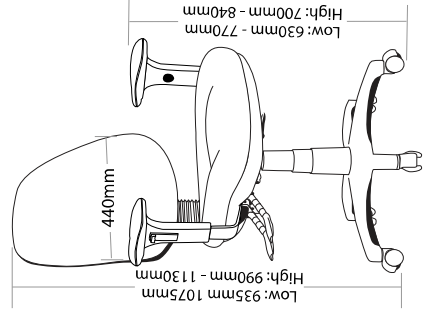
P350C-MB



P350D-MB



P350H-MB



P350HC-MB

P350 TASK SEATING



P350-MB



P350C-MB



P350D-MB



P350H-MB



P350HC-MB

R2 TASK SEATING

AQUA



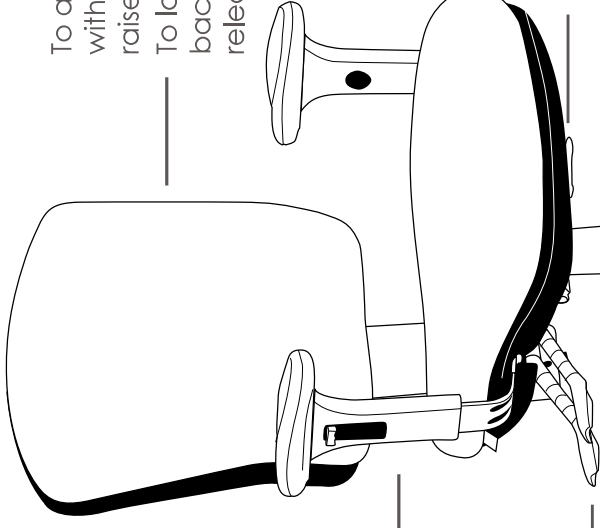
FEATURES

- » Adjustable seat height
- » Adjustable back height (ratchet)
- » Adjustable seat and back angle
- » Optional adjustable arms
- » Optional drafting kit
- » Available in high and low back
- » Moulded seat and back foam
- » Java seat
- » 3 lever ergonomic mechanism
- » 600mm black nylon base
- » Available in Metro black only
- » AFRDI tested to level 6
- » Minor assembly required
- » Suitable for indoor use only
- » 7 year warranty
- » Weight limit is 130kg

INDOOR USE ONLY

X Do not use as a step ladder

OPTIONAL ADJUSTABLE ARMS

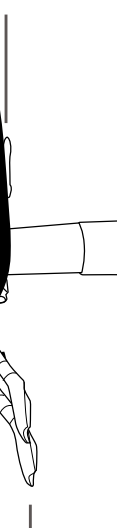


To adjust back height hold back with two hands while seated and raise to desired height

To lower the back height raise back all the way to the top and release slowly

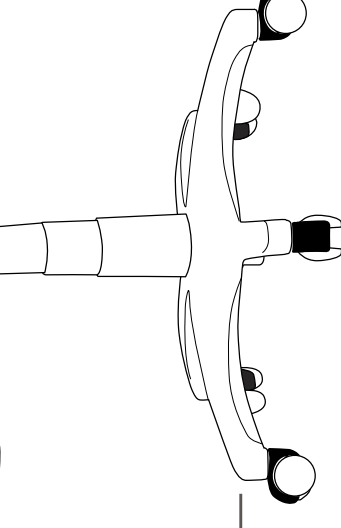
RIGHT BACK LEVER

To adjust back angle



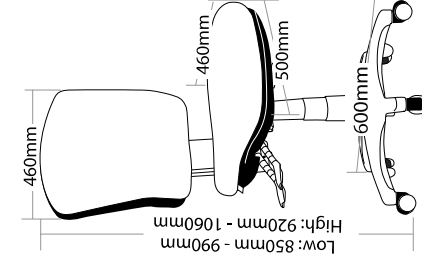
LEFT LEVER

To adjust seat angle

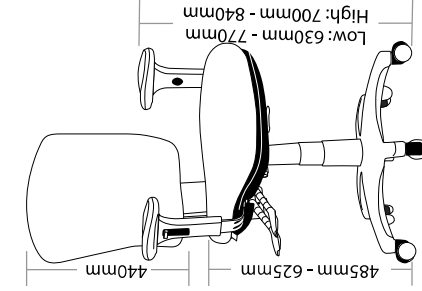


600MM BLACK NYLON 5 STAR BASE WITH CASTORS

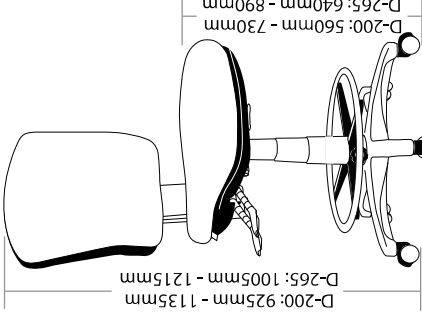
Use soft tyred castors for tiles
Use hard tyred castors for carpet



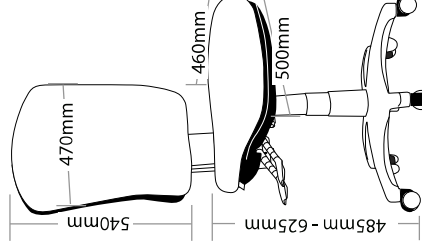
AQUA-L-MB



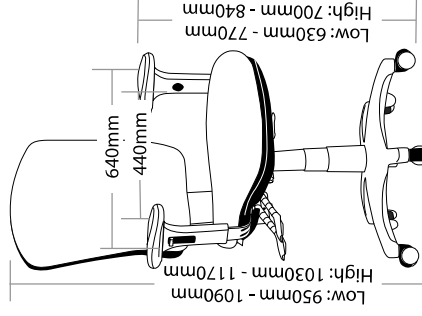
AQUA-LC-MB



AQUA-LD-MB



AQUA-H-MB



AQUA-HC-MB

AQUA TASK SEATING



AQUA-L-MB



AQUA-LC-MB



AQUA-LD-MB



AQUA-H-MB



AQUA-HC-MB

R2 TASK SEATING

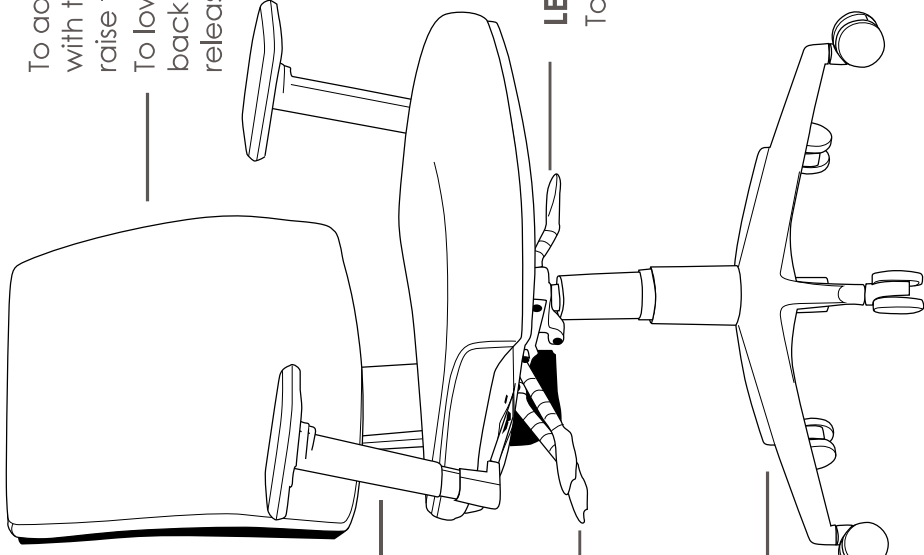
CLICK

FEATURES

- » Adjustable seat height
- » Adjustable back height (ratchet)
- » Adjustable seat and back angle
- » Optional adjustable arms
- » Optional drafting kit
- » Available in high and low back
- » Moulded seat and back foam
- » Square seat
- » 3 lever ergonomic mechanism
- » 660mm black nylon base
- » Available in Metro black only
- » AFRDI tested to level 6
- » Minor assembly required
- » Suitable for indoor use only
- » 7 year warranty
- » Weight limit is 130kg

INDOOR USE ONLY

X Do not use as a step ladder



**OPTIONAL
ADJUSTABLE ARMS**

To adjust back height hold back with two hands while seated and raise to desired height

To lower the back height raise back all the way to the top and release slowly

RIGHT BACK LEVER
To adjust back angle

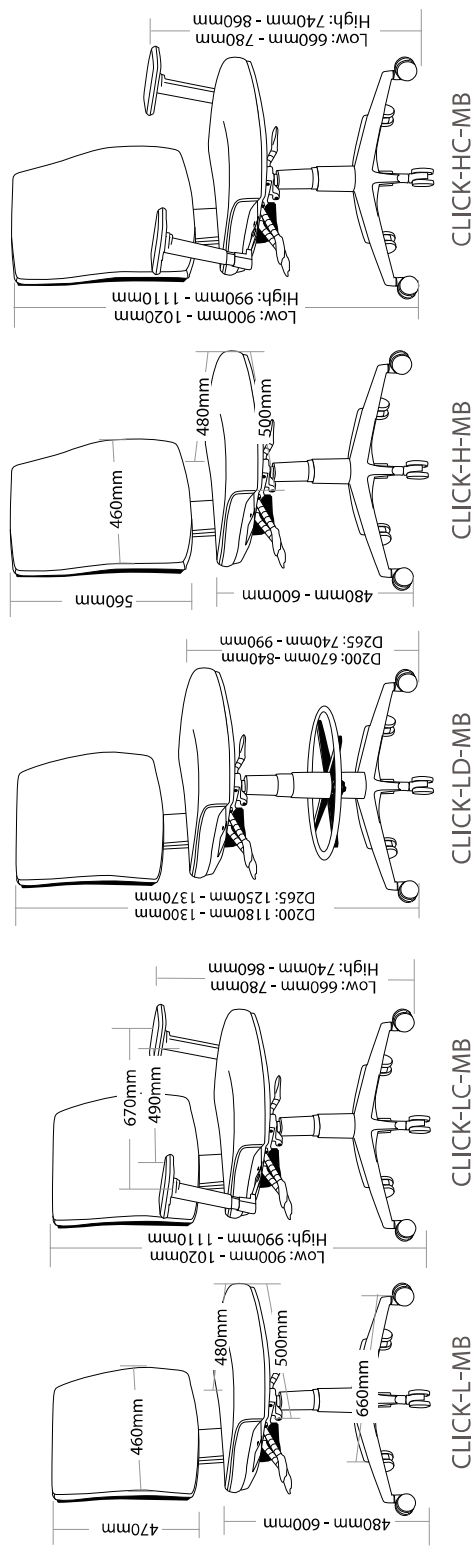
LEFT LEVER

To adjust seat angle

RIGHT FRONT LEVER
To adjust seat height

660MM BLACK NYLON 5 STAR BASE WITH CASTORS

Use soft tyred castors for tiles
Use hard tyred castors for carpet



CLICK TASK SEATING



CLICK-L-MB



CLICK-LC-MB



CLICK-LD-MB



CLICK-H-MB



CLICK-HC-MB

R2 TASK SEATING

TR600

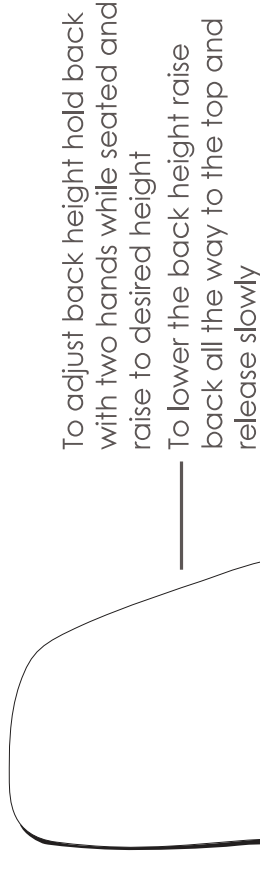


FEATURES

- » Adjustable seat height
- » Adjustable back height (ratchet)
- » Adjustable seat and back angle
- » Adjustable weight tension
- » Optional adjustable arms
- » Moulded seat and back foam
- » Mega big boy seat
- » 3 lever heavy duty ergonomic mechanism
- » 700mm black nylon base
- » Chair not available with drafting kit
- » Available in Metro black only
- » AFRDI tested to level 6
- » Minor assembly required
- » Suitable for indoor use only
- » 7 year warranty
- » Weight limit is 140kg

INDOOR USE ONLY

X Do not use as a step ladder



OPTIONAL ADJUSTABLE ARMS

RIGHT BACK LEVER

To adjust back angle

RIGHT MIDDLE LEVER

To adjust seat angle

RIGHT FRONT LEVER

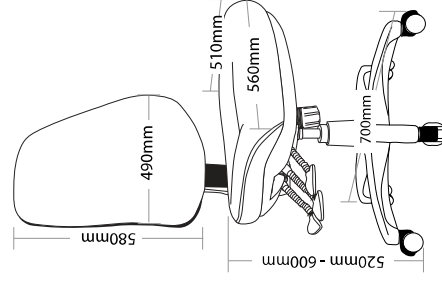
To adjust seat height

FRONT KNOB

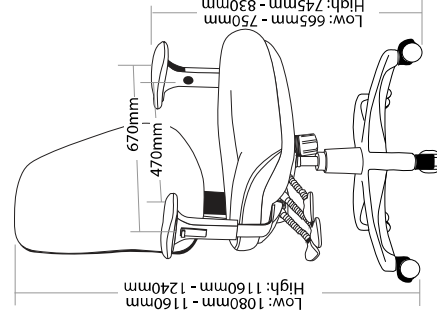
To adjust weight tension

700MM BLACK NYLON 5 STAR BASE WITH CASTORS

Use soft tyred castors for tiles
Use hard tyred castors for carpet



TR600-MB



TR600-C-MB

TR600 TASK SEATING



TR600-MB



TR600-C-MB



BACK VIEW

R2 TASK SEATING

SPOT



FEATURES

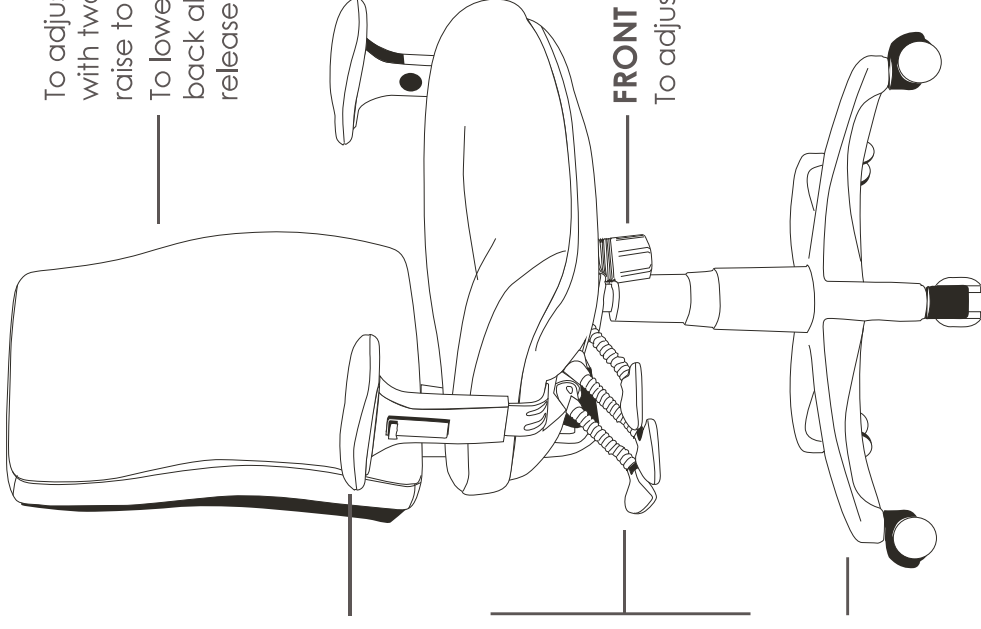
- » Adjustable seat height
- » Adjustable back height (ratchet)
- » Adjustable seat and back angle
- » Adjustable weight tension
- » Optional adjustable arms
- » Moulded seat and back foam
- » Mega big boy seat
- » 3 lever heavy duty ergonomic mechanism
- » 700mm black nylon base
- » Chair not available with drafting kit
- » Available in Metro black only
- » AFRDI tested to level 6
- » Minor assembly required
- » Suitable for indoor use only
- » 7 year warranty
- » Weight limit is 140kg

INDOOR USE ONLY

X Do not use as a step ladder

OPTIONAL ADJUSTABLE ARMS

To adjust back height hold back with two hands while seated and raise to desired height
To lower the back height raise back all the way to the top and release slowly



RIGHT BACK LEVER

To adjust back angle

RIGHT MIDDLE LEVER

To adjust seat angle

RIGHT FRONT LEVER

To adjust seat height

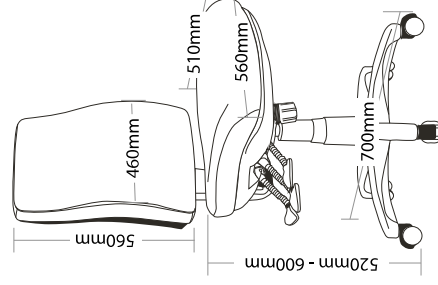
FRONT KNOB

To adjust weight tension

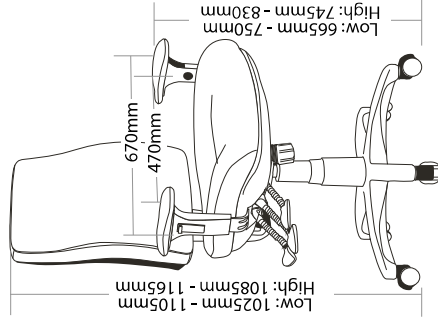
700MM BLACK NYLON 5 STAR

BASE WITH CASTORS

Use soft tyred castors for tiles
Use hard tyred castors for carpet



SPOT-MB



SPOT-C-MB

SPOT TASK SEATING



SPOT-MB



SPOT-C-MB



BACK VIEW